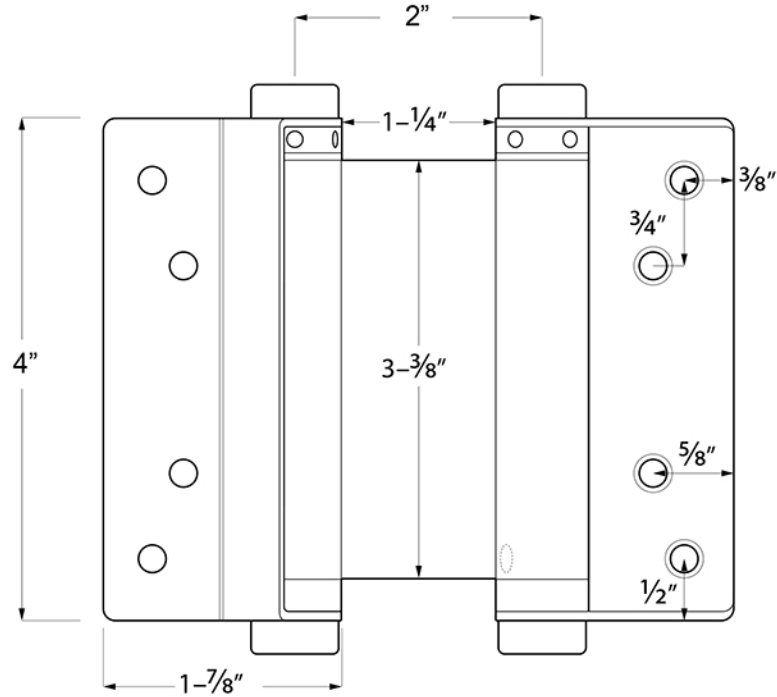


# DASHS4U32D

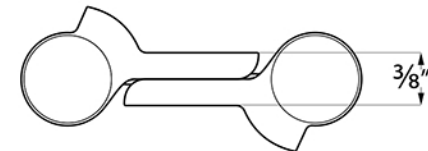
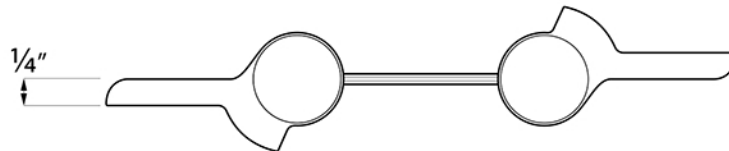
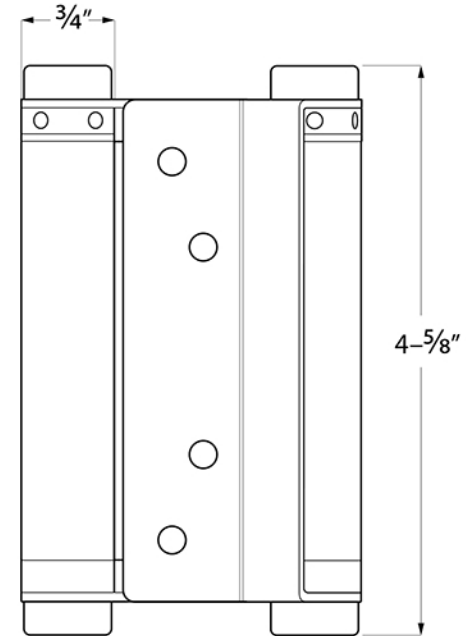
DOUBLE ACTION 4" SALOON HINGE / STAINLESS STEEL



OPEN POSITION



CLOSED POSITION



DRAWING NOT TO SCALE

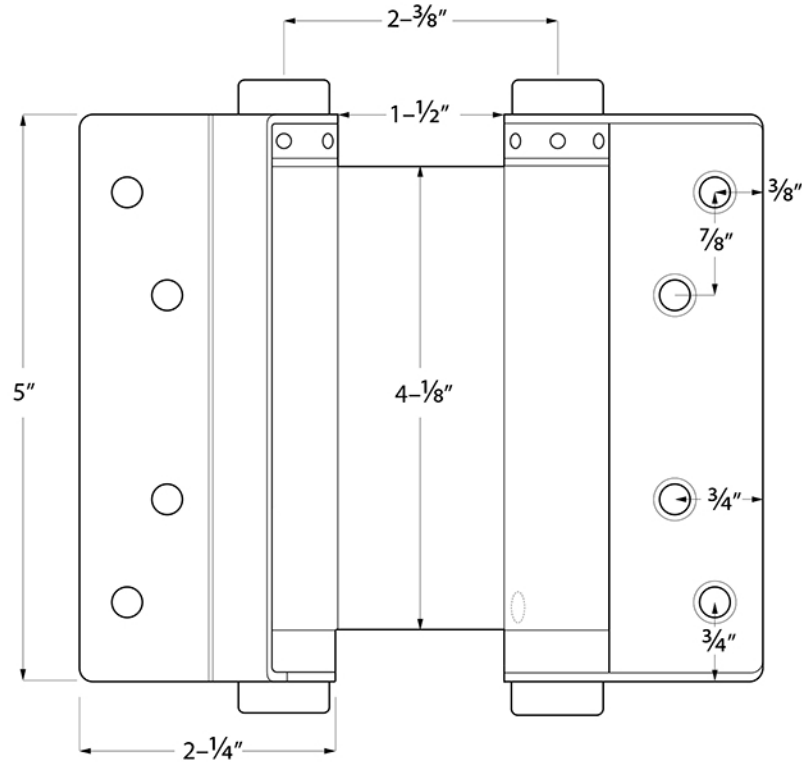
NOTE: Deltana reserves the right to constantly improve its products and is not responsible for differences between the product in-hand and the specifications contained in this drawing. We do not recommend to pre-drill holes or pre-cut woods or metals based on the drawing information if the veracity of the specifications has not been proven by the live product.

# DASHS5U32D

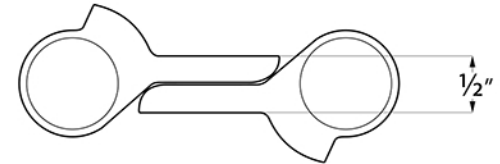
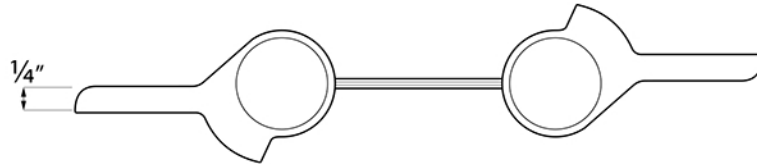
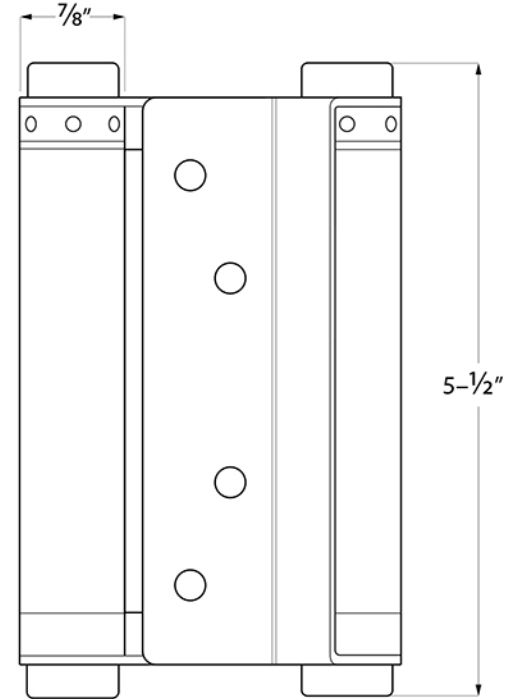
DOUBLE ACTION 5" SALOON HINGE / STAINLESS STEEL



OPEN POSITION



CLOSED POSITION



DRAWING NOT TO SCALE

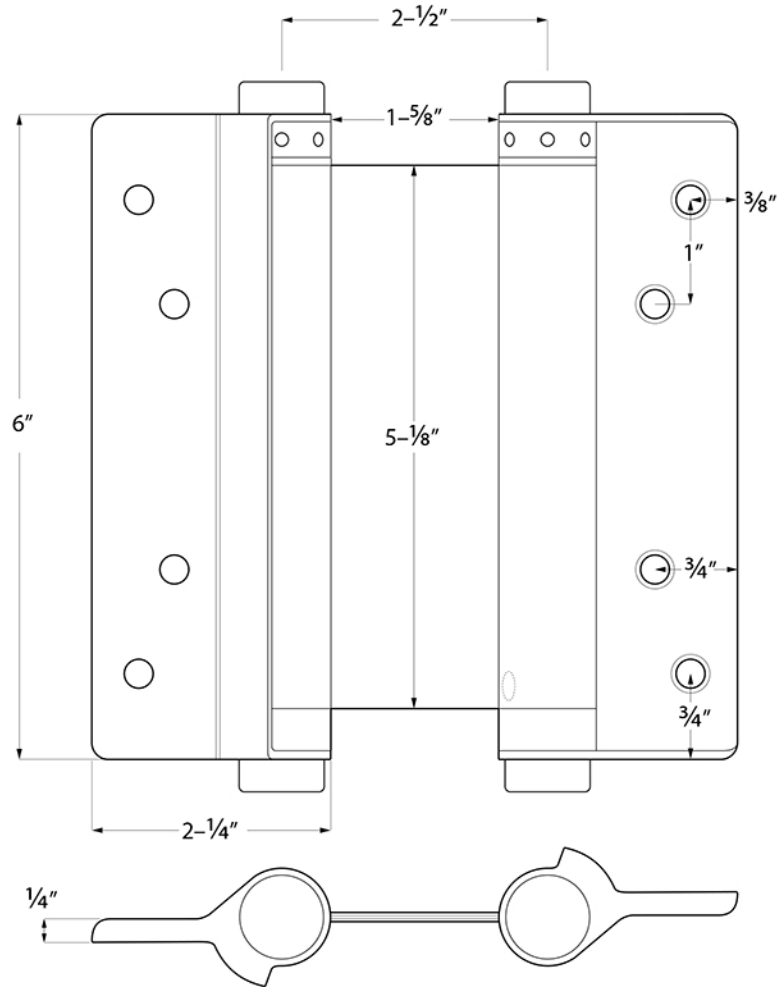
NOTE: Deltana reserves the right to constantly improve its products and is not responsible for differences between the product in-hand and the specifications contained in this drawing. We do not recommend to pre-drill holes or pre-cut woods or metals based on the drawing information if the veracity of the specifications has not been proven by the live product.

# DASHS6U32D

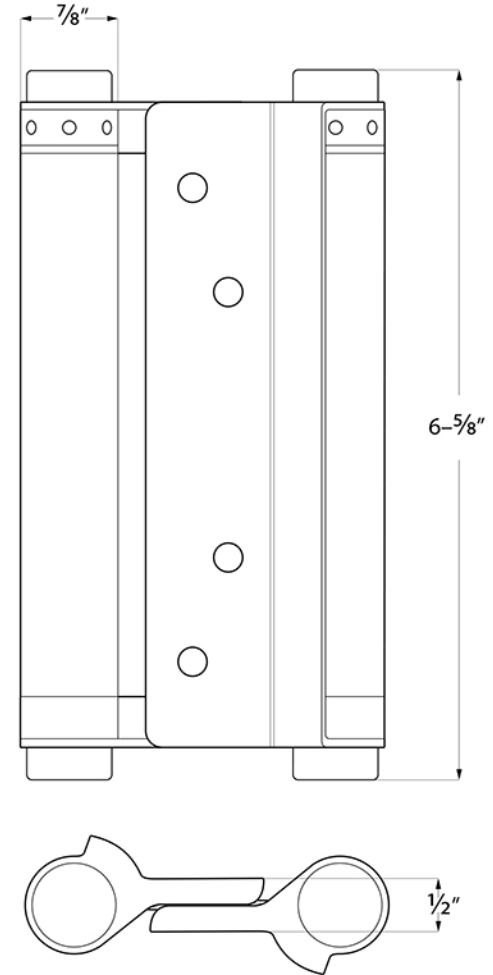
DOUBLE ACTION 6" SALOON HINGE / STAINLESS STEEL



OPEN POSITION



CLOSED POSITION



DRAWING NOT TO SCALE

NOTE: Deltana reserves the right to constantly improve its products and is not responsible for differences between the product in-hand and the specifications contained in this drawing. We do not recommend to pre-drill holes or pre-cut woods or metals based on the drawing information if the veracity of the specifications has not been proven by the live product.