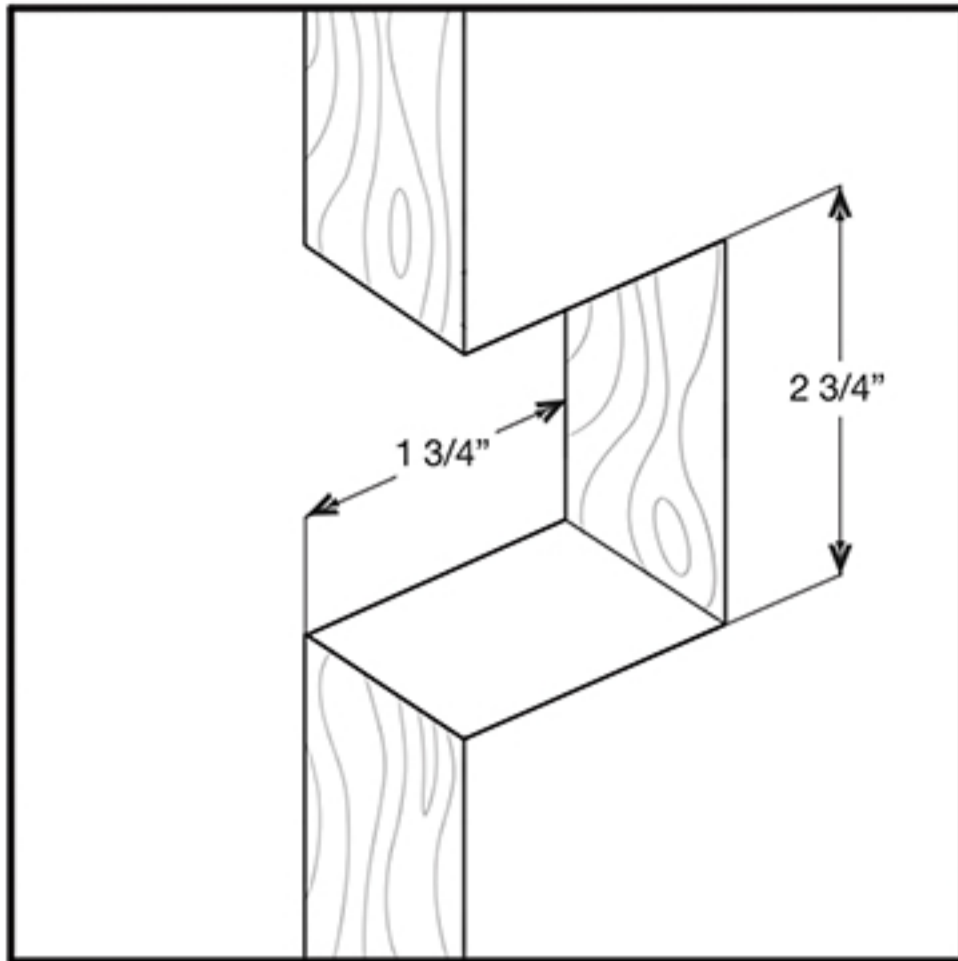
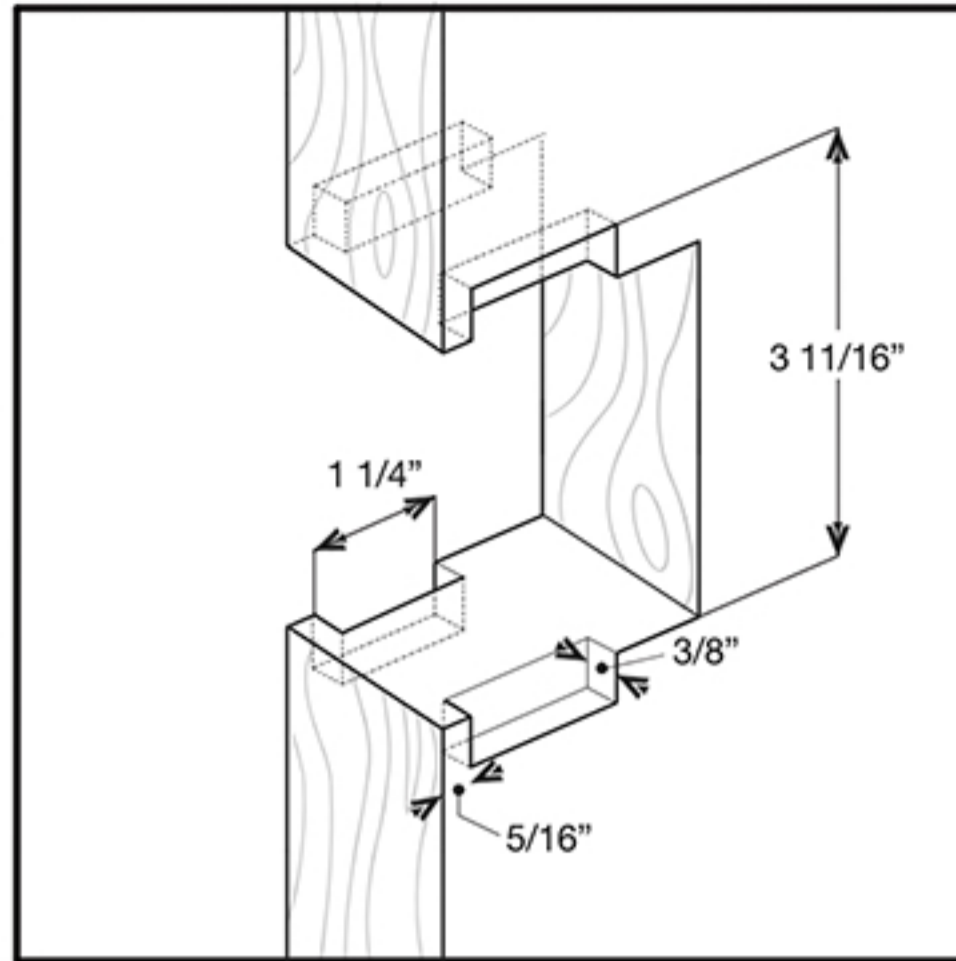


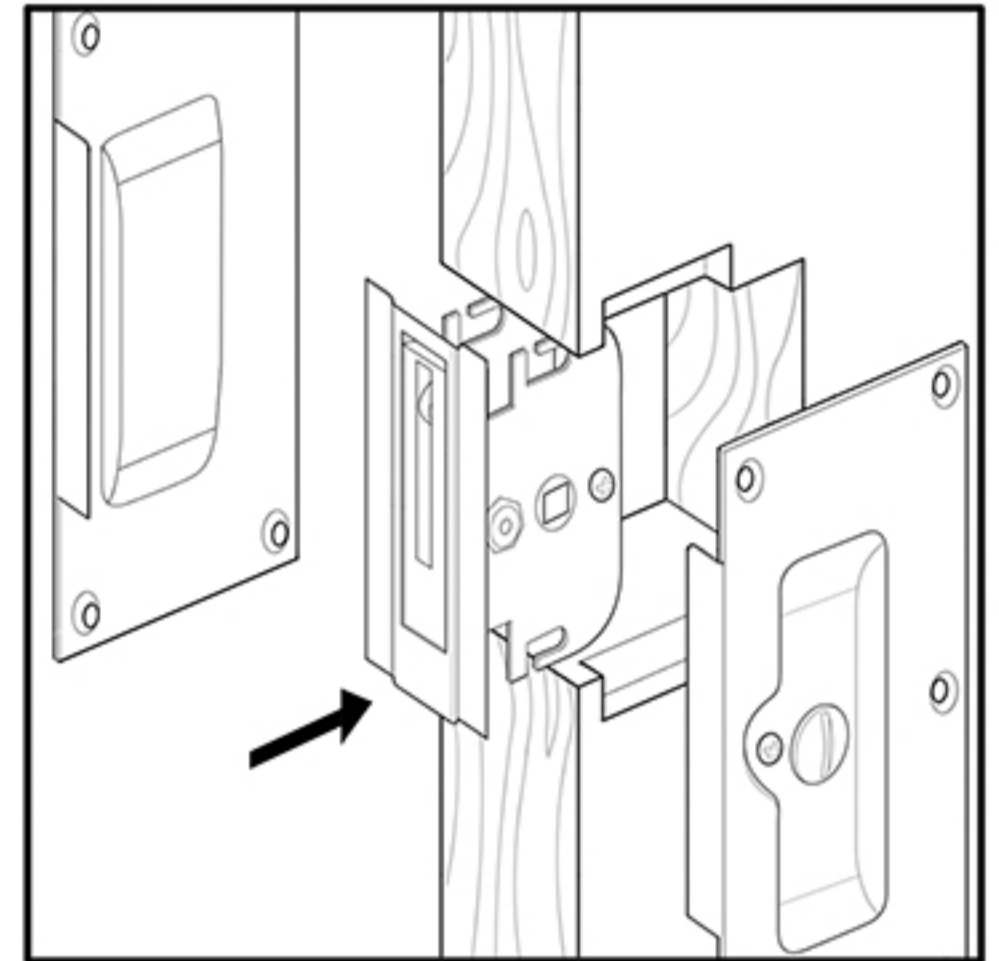
INSTALLATION INSTRUCTIONS / Fits Door Thickness: 13/8" ~ 15/8"



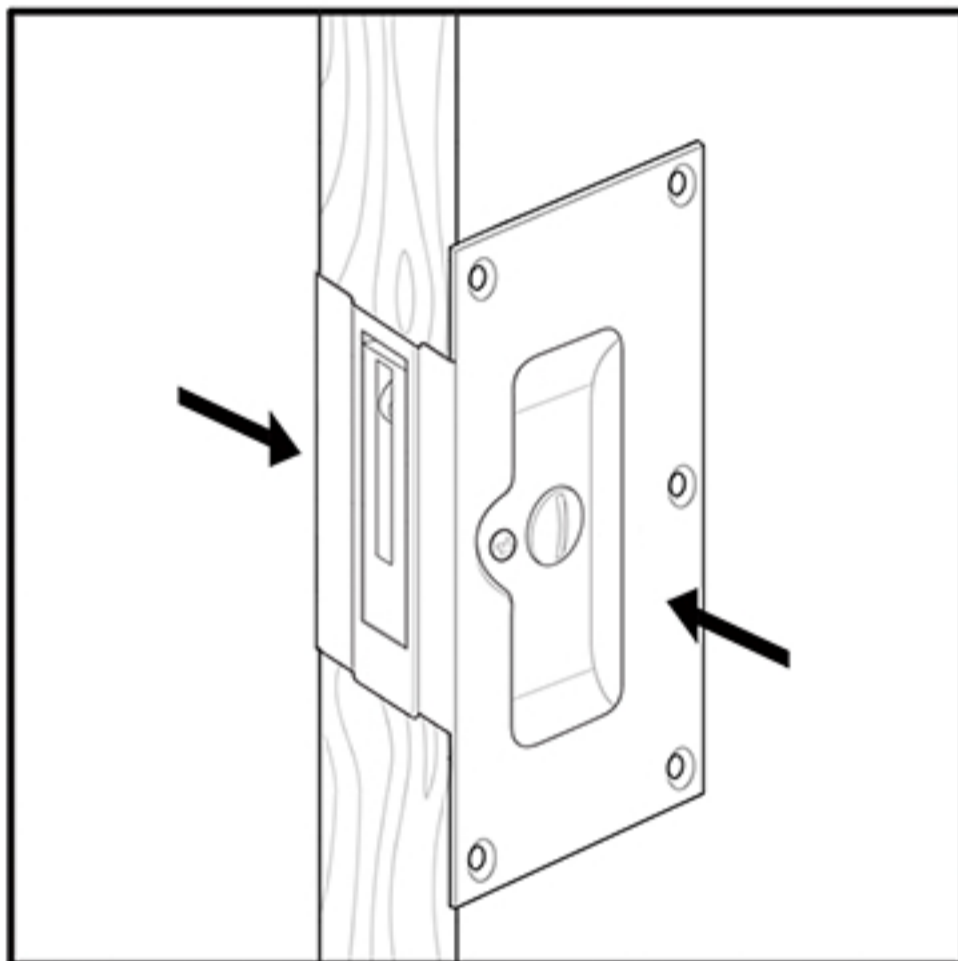
Cut one simple notch in door.



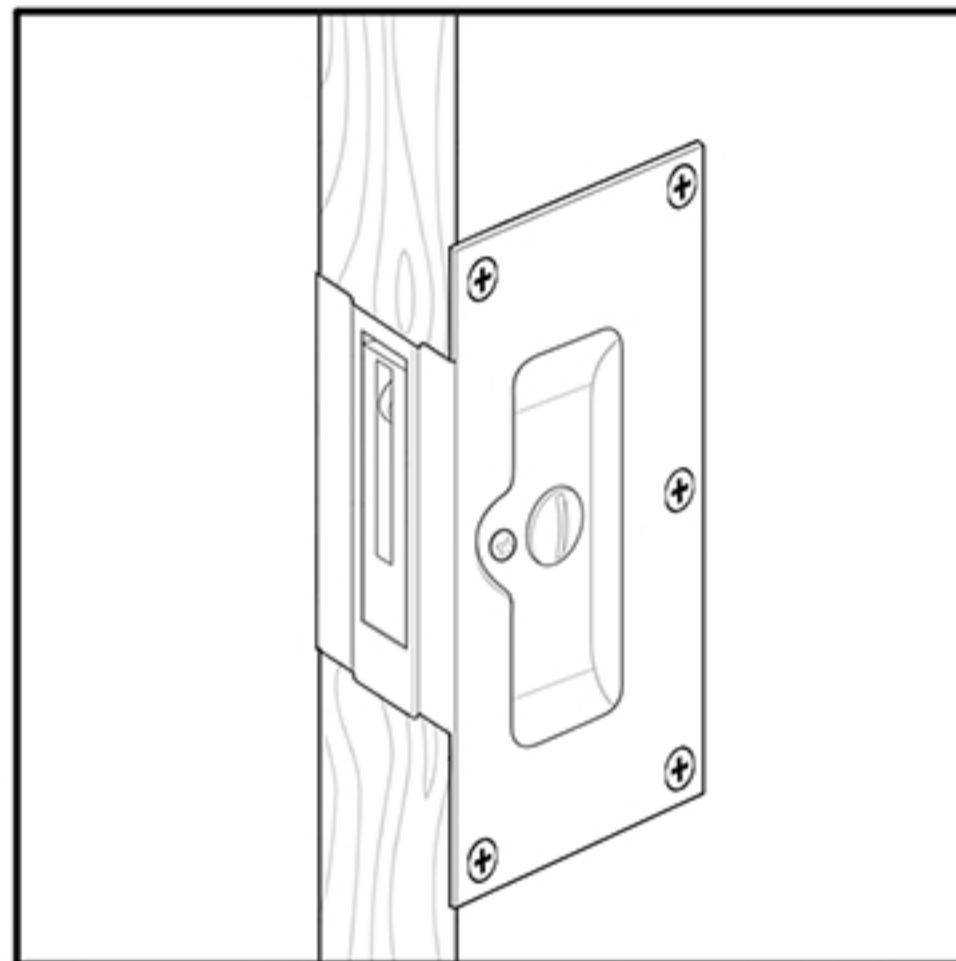
Cut 4 extra margins to fit plates inner bumps.



Slip Lock box into position as shown.

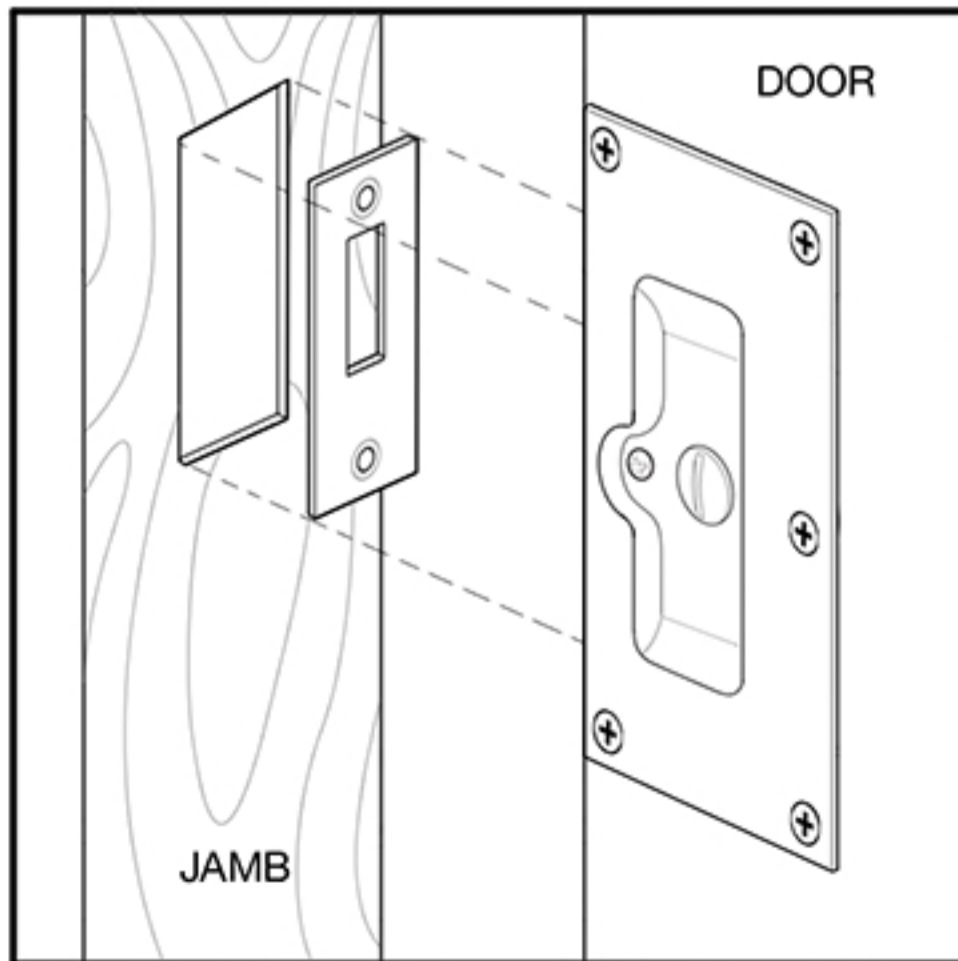


Fit in the Lock plates

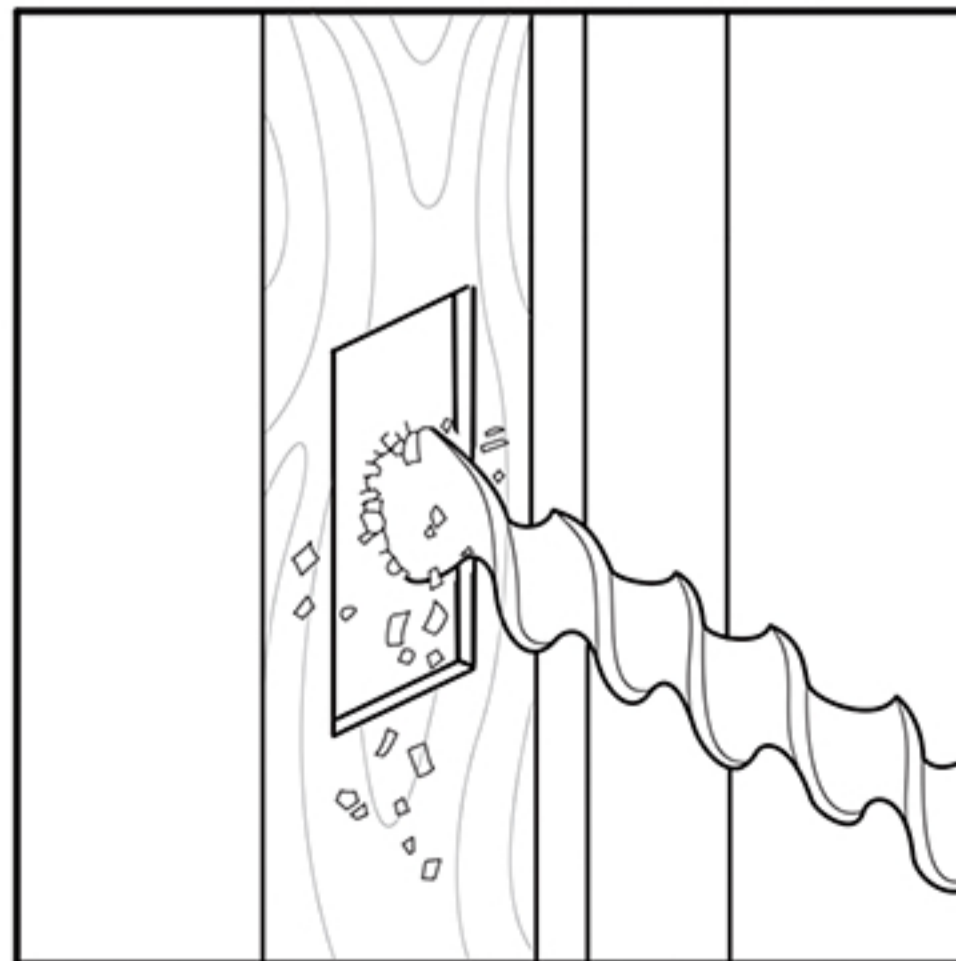


(A) Fasten machine screw which tightens and automatically aligns pull.  
(B) Insert wood screw and tighten.

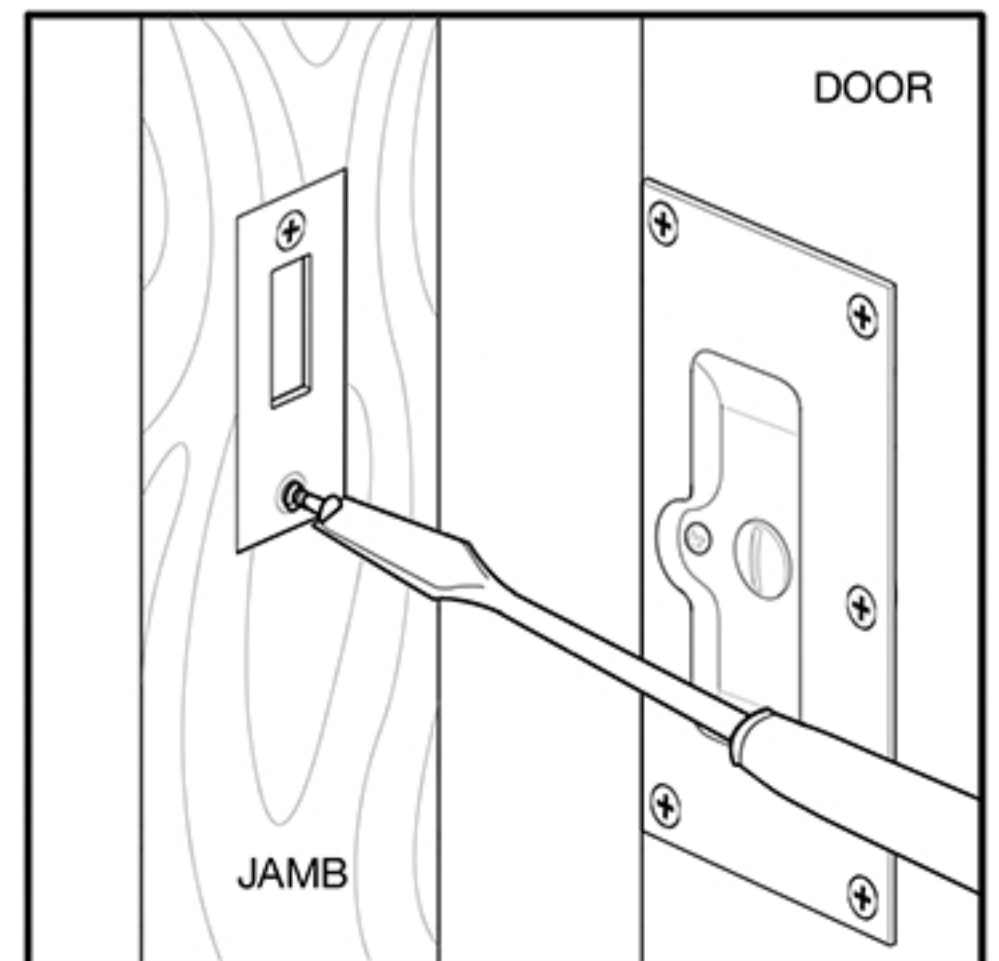
INSTALLATION OF STRIKE PLATE FOR PRIVACY SET ONLY



Mark and mortise strike on jamb to correspond to lock position on door  
1-1/32" x 2-1/2" x 1/16" deep.



Drill 15/16" diameter hole 1/2" deep in center of mortise.



Screw strike plate into position using #6 x 5/8" long flat head wood screws.